

## FRAME

- Kiln dried solid plantation timber and structural composites are glued screwed and corner blocked.

## SUSPENSION

- The seat platform features No-Sag Memory Springs for superior performance, comfort and support.

## SEAT CUSHIONS

- High Resilience foam is wrapped in a luxurious fibre.

## BACK CUSHIONS

- Siliconized fibre is contained by individually sewn channels which ensure even distribution and minimize the need for maintenance.



1.5 SEAT



SIDE VIEW



2.5 SEAT



3.5 SEAT



3 SEAT



3 SEAT DUO

## Construction Features

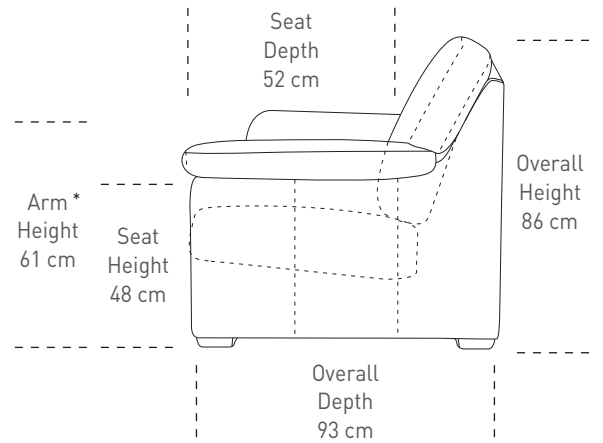
- Frames are made from solid wood and laminated structural composites
- All corners are reinforced with corner blocks
- No-Sag Memory Sprung Seat
- Channelled Siliconized Fibre back cushion
- Timber legs
- 2 seat cushions on 3 seater

## Options

- All IMG leathers, fabrics or timber colors can be selected
- 3 seat cushions on 3 seater

## Exclusive Warranty

- 10 years for Frame and suspension. 5 years on foam, 2 years for cover and workmanship



\*Note: arm height for this frame is measured at the highest poing of the arm.

\*The dimensions are approximate and may vary with +/- 2cm.

